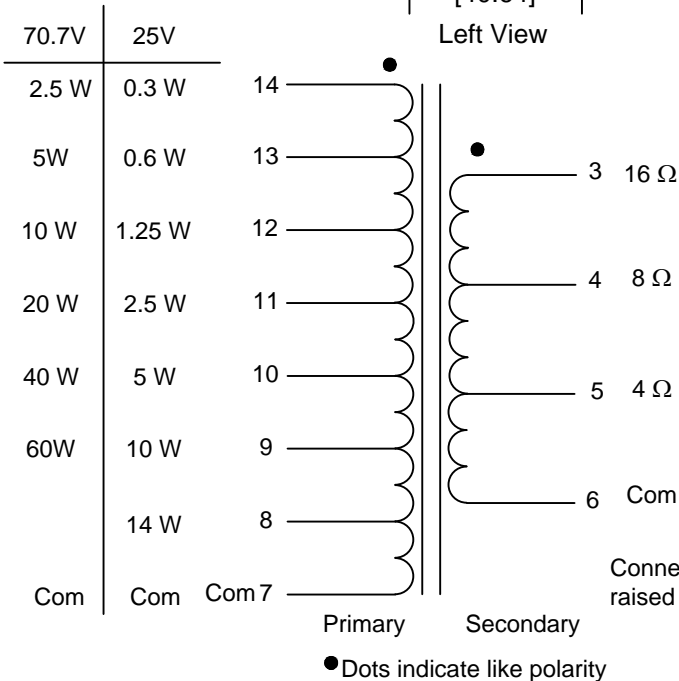
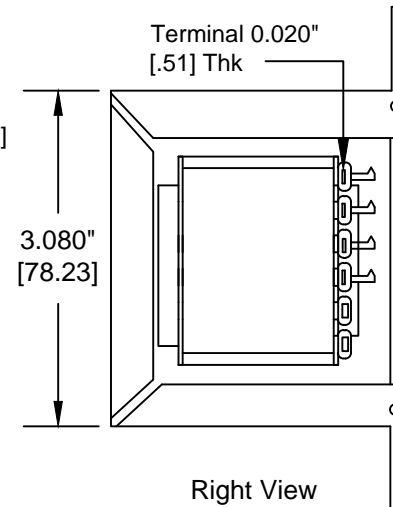
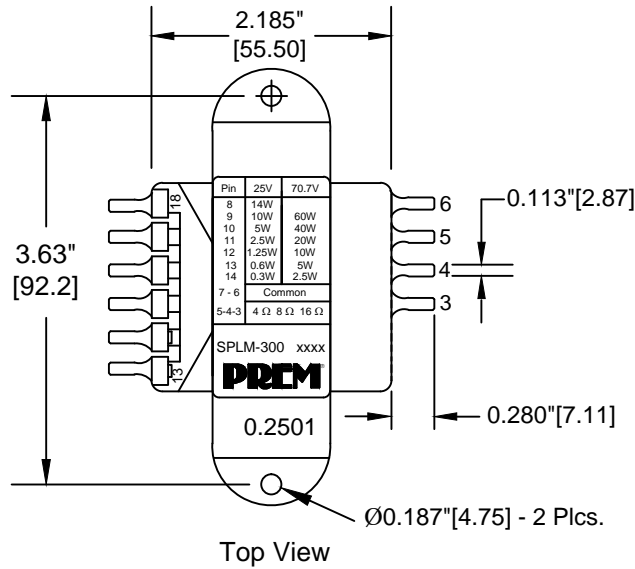
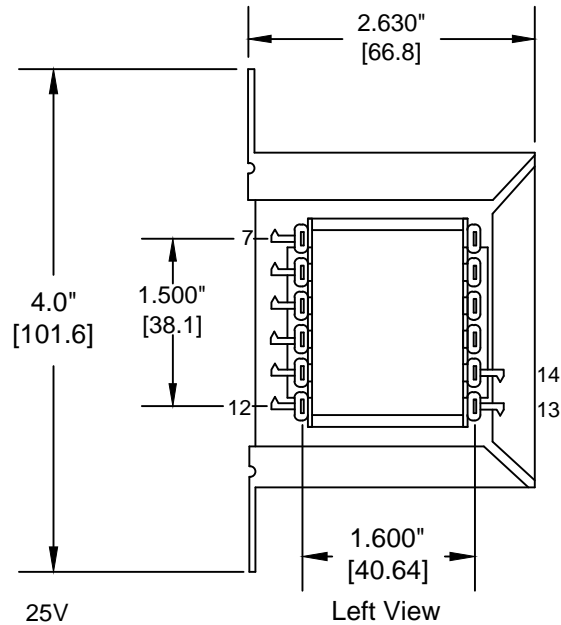


- CHASSIS MOUNT 70.7V AND 25V LINE MATCHING AUDIO OUTPUT TRANSFORMER FOR COMMERCIAL DISTRIBUTED SOUND SYSTEMS.
- DEVELOPED FOR 70.7V OR 25V LINE TO MULTIPLE OUTPUT IMPEDANCES, 4, 8, 16 OHMS APPLICATIONS AT POWER LEVELS OF 0.3 TO 60WATTS MAXIMUM DEPENDING ON THE SYSTEM VOLTAGE.
- TRANSFORMER WEIGHT IS APPROXIMATELY 2.3 LBS(1.043Kg).
- EXCELLENT PERFORMANCE.
- CHANNEL FRAME BRACKET FOR EASE OF MOUNTING, 2 - HOLE (.187" DIA.).
- THE SPLM-300 HAS 0.113" SOLDER TABS FOR CONNECTING INPUTS AND OUTPUT.



Electrical Parameters

Primary Taps : 70.7 V @ 60W - 40W - 20W - 10W - 5W - 2.5W / 25V @ 14W - 10W - 5W - 2.5W - 1.25 - 0.6W - 0.3W
 Secondary Impedance: 16 - 8 - 4 Ohms
 Frequency Response: ± 3.0dB 20Hz - 20KHz (1KHz Ref.)
 Insertion Loss : 0.6dB @1KHz
 THD : 3.0% Typ. @ 100Hz., at Rated Pwr
 Dielectric Strength: 1500Vrms P-S-C
 Max Power : 60.0 Watts
 Weight: 2.3 lbs./1.0433 Kg.

Connections are identified by raised numbers on bobbin.

All dimensions are reference unless otherwise specified. [mm]= millimeters

-1	Added dimensions in [millimeters]. Chg. Term length to 0.280". Weight in lbs./kg. Removed hidden view of terminal pockets 1 thru 6. Rpl term to term Dim. with Fig. to Fig. Correct Sch.	10-26-15
----	------------------------------------------------------------------------------------------------------------------------------------------------------------------------------------------	----------



CUSTOM ENGINEERING MAGNETIC COMPONENTS
 Johnsburg, Illinois
 3521 N. Chapel Hill Rd. / McHenry, Illinois 60051

SCALE: None	APPROVED BY: <i>Gary Garcia</i>	DRAWN BY G.G.
DATE: 06-16-09		REVISED

**Mechanical / Electrical Drawing
 for Part SPLM-300**

25 / 70.7V Line Matching
 Audio Output Transformer

DRAWING NUMBER
 A-SPLM-300